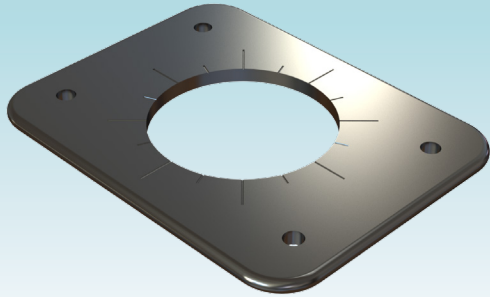




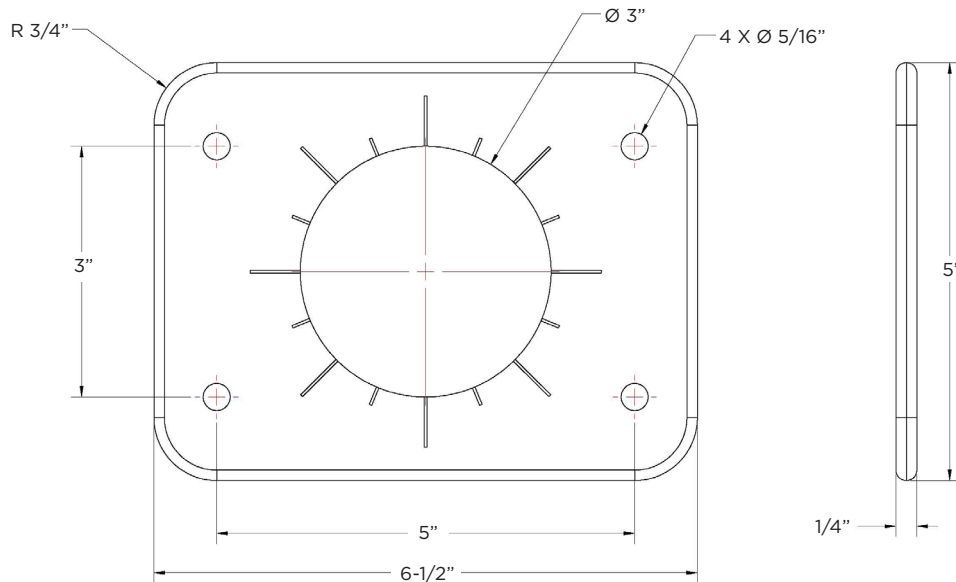
GRAND SLAM 300 UNIVERSAL BACKING PLATE



The Grand Slam 300 Universal Backing Plate is designed exclusively for the innovative line of TACO Marine Grand Slam Outrigger Mounts - providing strength and directional guidance to your base, when installed through your T-top. These unique backing plates feature directional markers every 22.5°, which aligns with the locking detents of the outrigger mounts as they are rotated and locked into position. This allows you always know the position of your outrigger pole. Available in brite or black hard coat anodized finishes, these plates will save your T-top from potential damage caused by outrigger torque when extended.

FEATURES & BENEFITS

- ▶ Provides strength, durability, and directional guidance
- ▶ Matches existing base hole pattern
- ▶ No drilling
- ▶ Attractive addition to your T-top
- ▶ Sold in pairs



PART #	DESCRIPTION	FINISH
BP-0300VEL	Backing plate, 6.50" X 5" X .25"	Mill Finish
BP-0300BHC	Backing plate, 6.50" X 5" X .25"	Black Hard Coat Anodized
BP-0300BSY	Backing plate, 6.50" X 5" X .25"	Brite Dip Anodized